

K1100E

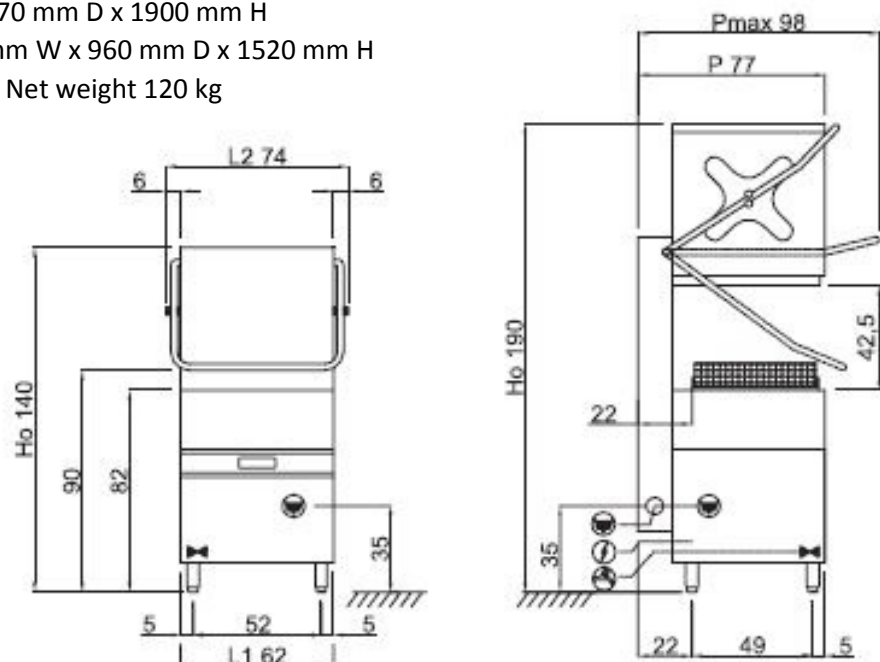
Koral hood version that thanks to the new manufactory technologies guarantees an impeccable wash quality, which can meet even the needs of the most sophisticated customers.

Specifications

- EWC Electronic Control System with choice of 4 wash cycles
 - LCD Display Control panel
 - Detergent pump standard
 - Rinse-aid pump standard
 - Provision for drain pump installation
 - Partial refill of wash water with clean water at every cycle
 - Standard 20" x 20" (500 x 500 mm) baskets supplied: 2 dish basket, 1 glass basket, 1 large cutlery Tray
 - Wash pump: 1.5 Hp
 - Wash Tank: heating element: 4.5 kW, capacity: 9.8 G (37 lt)
 - Booster: heating element: 6.0 kW, capacity: 1.9 G (7.3 lt)
 - Door clearance: 16 3/4" (42.5 cm)
 - Vacuum Breaker (DVGW) valve
 - Adjustable rotation speed of stainless steel rinse arms
 - New filtering group for suction and drain
 - Low maintenance, heavy duty
 - Warranty 2 year parts, 1 year labor (see details)
-
- Power requirements: 7.12 kW, 208/240 V, 60 Hz, 1 ph 30 A, 3 ph 20 A, site convertible
 - Hot water requirements: ½ GPC (2.0 LPC) 125° F (55°C) (will operate with cold water. At reduced capacity)
 - Water line requirements: ¾" (or ½" with ¾" NPT terminal) (hose supplied)
 - Water pressure requirements 30 – 60 psi (2 – 4 bar)
 - Drain line: 1" (25 mm) (flexible connection hose supplied)
 - Dimensions: 620 mm W x 770 mm D x 1900 mm H
 - Shipping dimensions: 710 mm W x 960 mm D x 1520 mm H
 - Shipping weight: 133.50 kg, Net weight 120 kg



Intertek





K1100E

50 years of experience

for an evolving technology.

We offer you a professional wash system, designed and created in order to obtain excellent results of cleaning, hygiene and brightness.

High-quality products conceived by following a policy of energy saving and lower water and detergents consumption.

Top quality and performance without compromise, all with a very reasonable price and lower running cost.



Ultimo Stainless Products inc.
USA: 561-372-5221
Canada: 514-481-8665
www.ultimostainless.com