



## 27 CU. FT. GLASS DOOR MERCHANDISER

### KCGM27F - 738012

### FREEZER



**Fin & Tube Condenser** improves performance in high temperature environments

**Automatic Defrost Cooling System** provides worry-free performance

**1-1/3 HP Compressor**

**Painted Steel/Painted Aluminum Exterior & Interior**

**Electronic Controls**

**External Temperature Display**

**Removable Door Gaskets**

**Adjustable Shelves** Vinyl-Coated Steel

**Self-Closing Swing Doors**

**Heavy Duty Casters**

**LED Lighting**

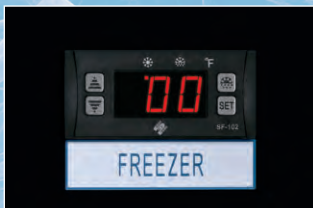


### TECHNICAL SPECIFICATIONS

MODEL	KCGM27F
Product Line	Freezer
Door(s)/Type	2 Door Swing
Capacity (Cu. Ft.)	27.0
Condenser Type	Fin & Tube
Automatic Defrost Cooling System	Yes
Compressor Horsepower	1-1/3
Exterior Finish	Painted Steel
Interior Finish	Painted Aluminum
Shelves (Number/Type)	8/Vinyl-Coated Steel
Control	Electronic
Temperature Display Location	External
Temperature Range	-7 to 10°F
Voltage Rating	115V/60Hz
Run Amps	9.6
Plug Type	NEMA 5-20P
Shipping Weight (Lbs.)	442
Warranty	3 Year/5 Year

### Electronic Digital Temperature Control

Quick set digital control and display for easy monitoring.



### Vinyl Heavy Duty Adjustable Shelves

Shelves that are easy to handle and keep clean.



### Removable Door Gaskets

User replaceable door gaskets for easy replacement and cleaning.

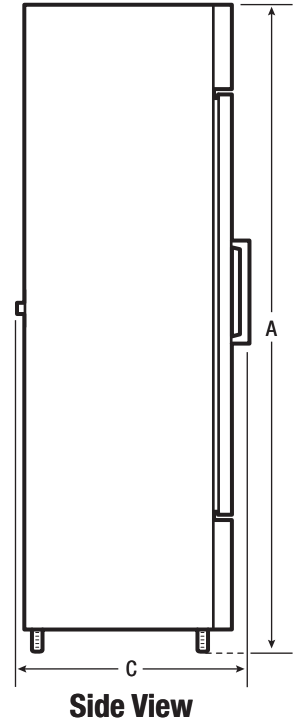
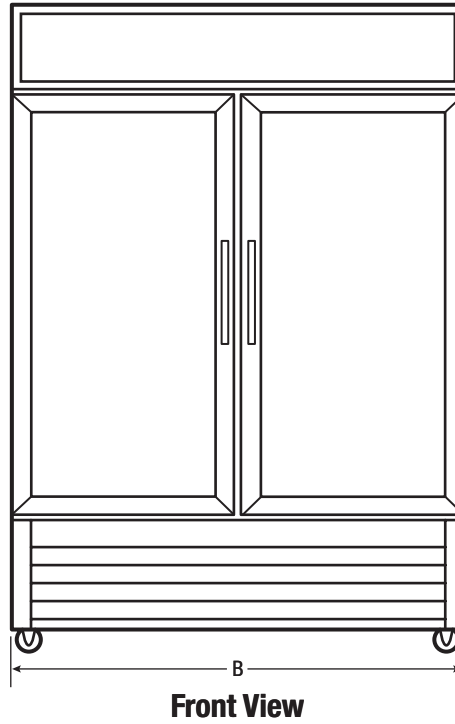
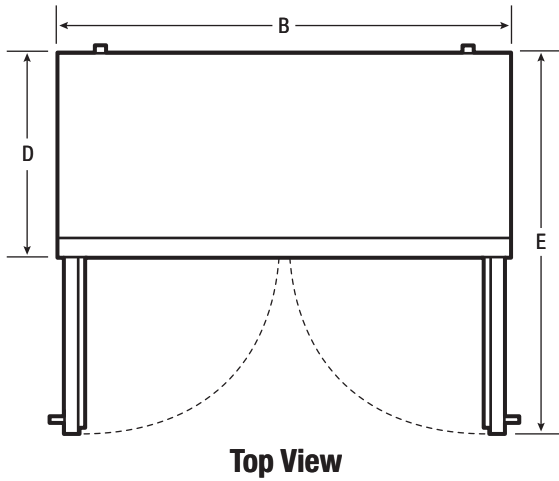




# 27 CU. FT. GLASS DOOR MERCHANDISER

# KCGM27F

## FREEZER



Plug Type (NEMA)  
5-15P

### EXTERIOR DIMENSIONS

Height <b>A</b> (Including Casters)	85"
Width <b>B</b>	49-1/2"
Overall Depth (Including Door & Handle) <b>C</b>	28"
Cabinet Depth <b>D</b>	26"
Depth (with Door 90° Open) <b>E</b>	49"

### CERTIFICATIONS AND APPROVALS

Safety Certification	ETL
Sanitation Certification	ETL

### POPULAR PARTS

Shelf Right	5304493339
Shelf Clip	297121900
Shelf Left	5304493338



USA • 10200 David Taylor Drive • Charlotte, NC 28262 • 1-866-738-1640 • kelvinator.com  
CANADA • 5855 Terry Fox Way • Mississauga, ON L5V 3E4

KCGM27F 11/15

© 2015 Electrolux Home Products, Inc.

High standards of quality at Electrolux Home Products, Inc. mean we are constantly working to improve our products. We reserve the right to change specifications or discontinue models without notice.