

ECONOMY POT SINKS

EPS



PROJECT _____

ITEM _____

DESCRIPTION

- Entirely fabricated in 18 ga. type 304 stainless steel, brushed finish, welded and polished.
- Corner drain(s) with overflow pipe and strainer.
- 2" (51 mm) front squared edge with 8" (203 mm) backsplash.
- Galvanized steel tubular legs with adjustable bullet feet.
- One, two or three bowls available (see chart).
- Sizes available: 18", 36", 54" long x 22" deep and 24", 48", 72" long x 27" deep.

OPTIONS

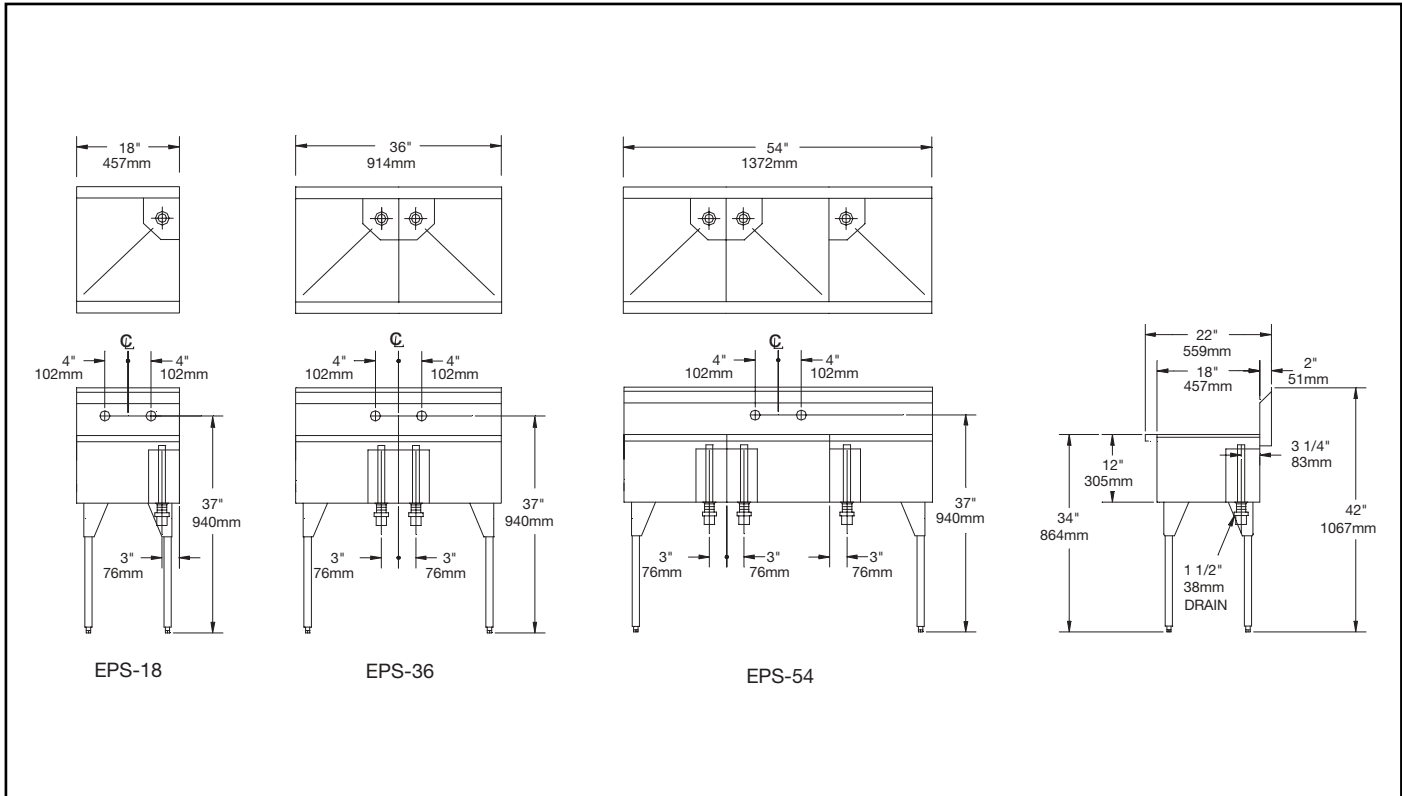
- Stainless steel legs.
- 18" removable drainboard (for 18", 36" and 54" models).
- 24" removable drainboard (for 24", 48" and 72" models).
- Economy quality 8" or 12" faucet.

M.K.E. Industries (1984) Inc.

183 Montcalm Blvd. N. Candiac Qc J5R 3L6 Tel: (450) 659-6531 / 1-800-361-9801 / Fax: (450) 659-2248

www.mke-ind.com

10/02



Model	Length	Depth	Height	Bowls	Volume	Weight	Removable drainboard
EPS-18	18" 457 mm	22" 559 mm	42" 1067 mm	1 18"X18" (457 X 457 mm)	7.3 ft ³ 0.2 m ³	35 lbs. 15 kg	L=18" 1067 mm D=18" 1067 mm
EPS-36	36" 914 mm	22" 559 mm	42" 1067 mm	2 18"X18" (457 X 457 mm)	13.5 ft ³ 0.4 m ³	55 lbs. 24 kg	
EPS-54	54" 1372 mm	22" 559 mm	42" 1067 mm	3 18"X18" (457 X 457 mm)	19.8 ft ³ 0.6 m ³	75 lbs. 34 kg	
EPS-24	24" 610 mm	27" 686 mm	42" 1067 mm	1 24"X23" (610 X 584 mm)	9.0 ft ³ 0.3 m ³	45 lbs. 21 kg	L=24" 610 mm D=23" 584 mm
EPS-48	48" 1220 mm	27" 686 mm	42" 1067 mm	2 24"X23" (610 X 584 mm)	19.8 ft ³ 0.6 m ³	65 lbs. 29 kg	
EPS-72	72" 1829 mm	27" 686 mm	42" 1067 mm	3 24"X23" (610 X 584 mm)	28.0 ft ³ 0.8 m ³	90 lbs. 41 kg	

* Specifications may change without notice due to continuous product improvement

M.K.E. Industries (1984) Inc.

183 Montcalm Blvd. N. Candiac Qc J5R 3L6 Tel: (450) 659-6531 / 1-800-361-9801 / Fax: (450) 659-2248

www.mke-ind.com